

BROCHURE

UNISTRUT®

BILLBOARD CATWALKS

A PART OF





Installation is as easy as 1-2-3

Unistrut® is proud to introduce our quick installation grating catwalks to service the outdoor advertising market. Our catwalks are a pre-welded assembly with a modular design eliminating most of the field assembly, creating HUGE labor savings. They are available in a range of sizes and exceed OSHA standards for safety.*

Experience a Better Solution

Unistrut's new catwalks are built with a unique modular design, eliminating most of the field assembly, creating HUGE labor savings.



Cost-Effective

Pre-welded design eliminates extensive assembly labor



Easy-to-Install

Pre-welded assembly and lightweight material create a quick and easy installation



Durable

Engineered with a strength to weight ratio allowing it to withstand substantial loads, and with a galvanized G-90 finish to withstand the elements.



Safe

Anti-skid surface with 4" kickplates for a safe working platform. Open surface design to prevent the build-up of dirt, debris, ice and snow.



Modular Design

Modular design can be configured to fit different types and sizes of billboards. Many mounting kit options available for various support beams.



Quality Assurance

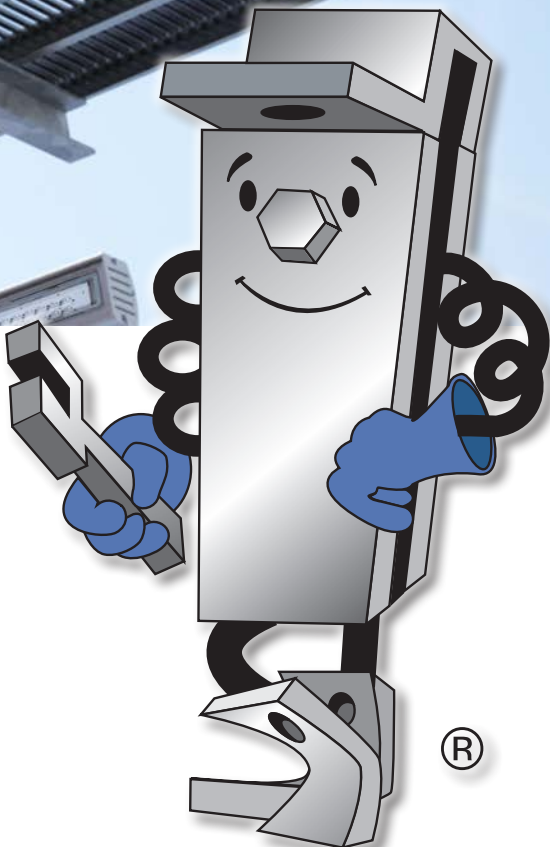
Exceeds OSHA outdoor industry requirements* and extensively load tested to ensure performance.



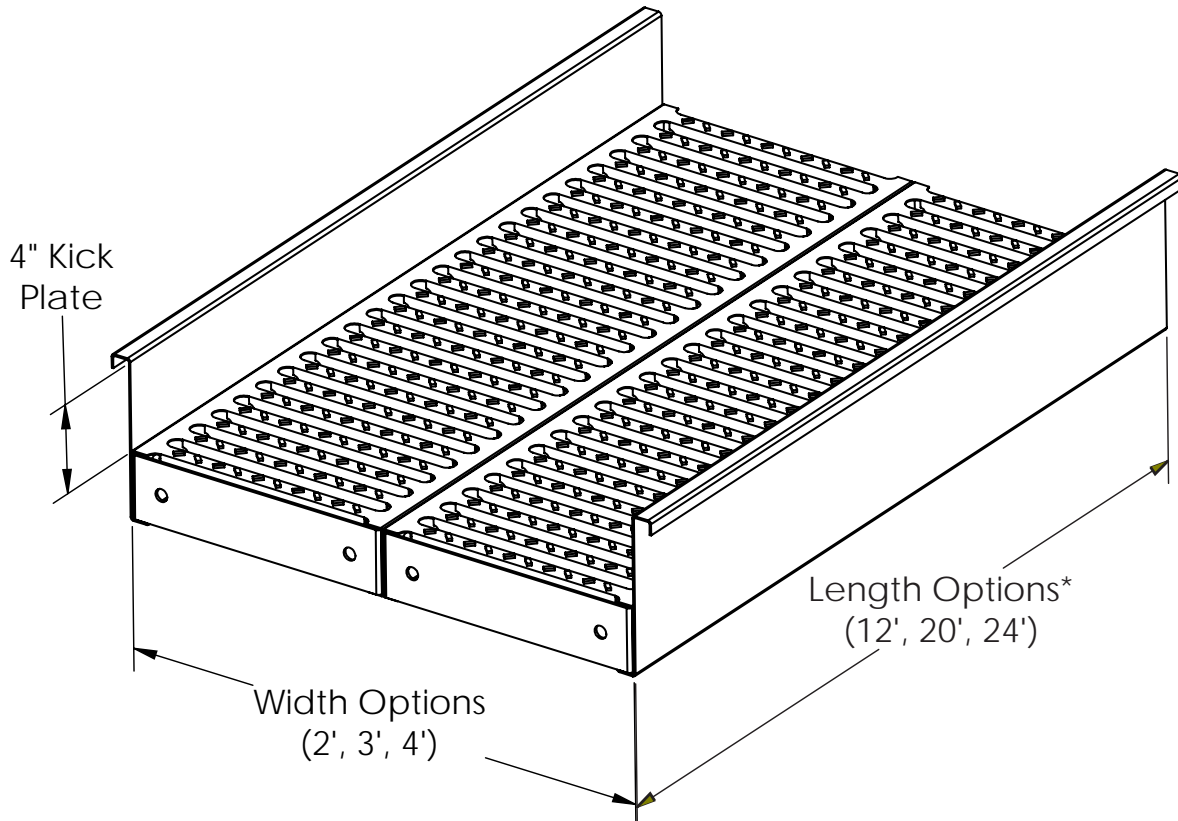
We proudly manufacture our Catwalks in America.

Please Note: This product is not rated for use as fall protection.

* Based on OSHA 1910.28



PRODUCT OVERVIEW



* These lengths are for a single platform assembly. Longer lengths can be accomplished by splicing platforms together.

Specifications:

- Individual grating planks are 12" wide, 3" tall, 18 ga. thick
- Assembly as shown above is pre-welded, requiring no assembly in the field
- 4" Kick Plates are required by OSHA for safety
- Kick Plates are 14 ga. thick, welded to the grating plank and with a return flange for strength
- End Plates are available pre-welded to the assembly, or individually and can be bolted to the platform
- Contact Unistrut for information about attaching lights and other accessories

Material & Finish Specifications:

- Pre-Galvanized (PG): ASTM A653 Grade 33, G90
- Electro-Galvanized (EG): ASTM B633, Type III SC1

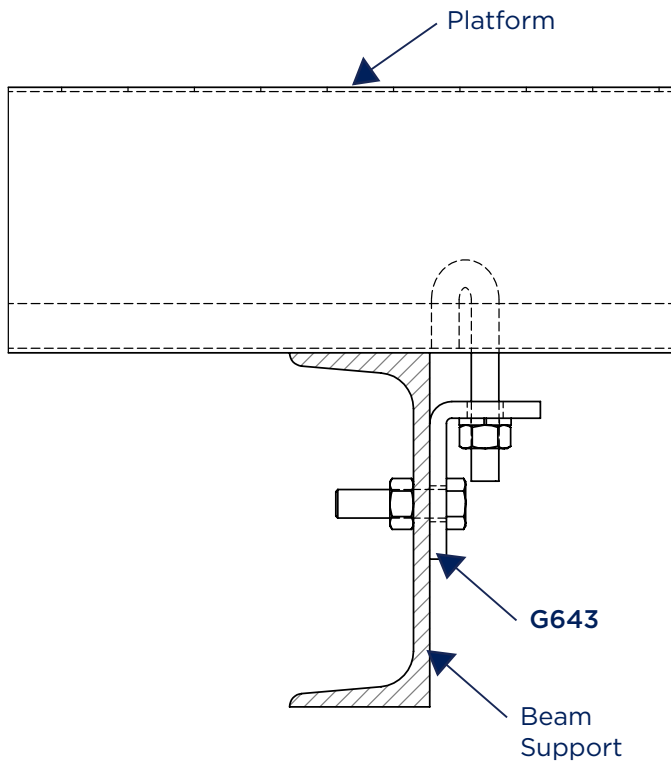
Load Capacity:

- Maximum Allowable Design Load: See below table
- Supports must be capable of supporting the design load plus the weight of the platform
- Wind and snow loads should be accounted for when calculating platform and support loads

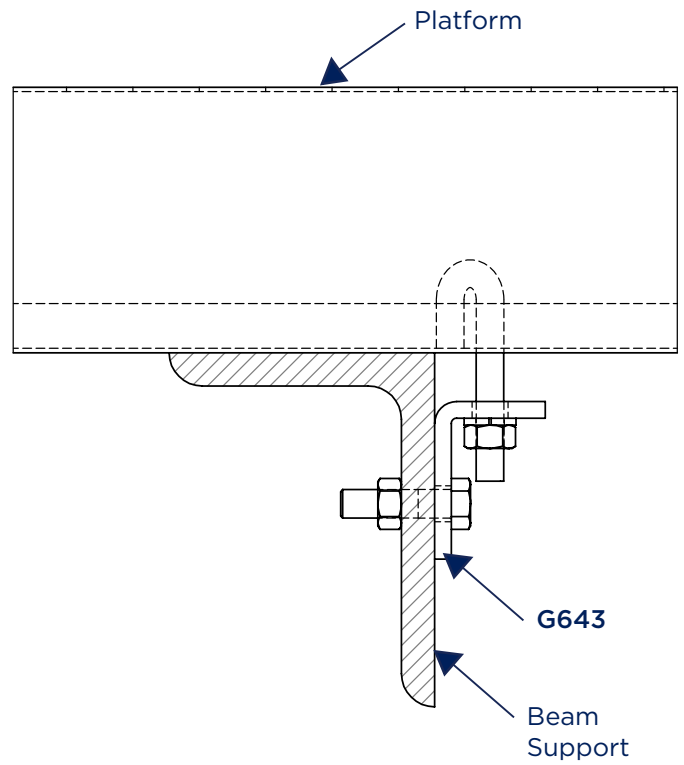
	Span Between Supports					
	6 ft. or less	8 ft.	10 ft.	12 ft.	14 ft.	16 ft.
Max. Concentrated Load (lbs.)	750	630	500	420	360	310
Max. Uniform Load (lbs.)	1,500	1,260	1,000	840	720	630

Max. Allowable Design Loads include a Safety Factor of 4.0

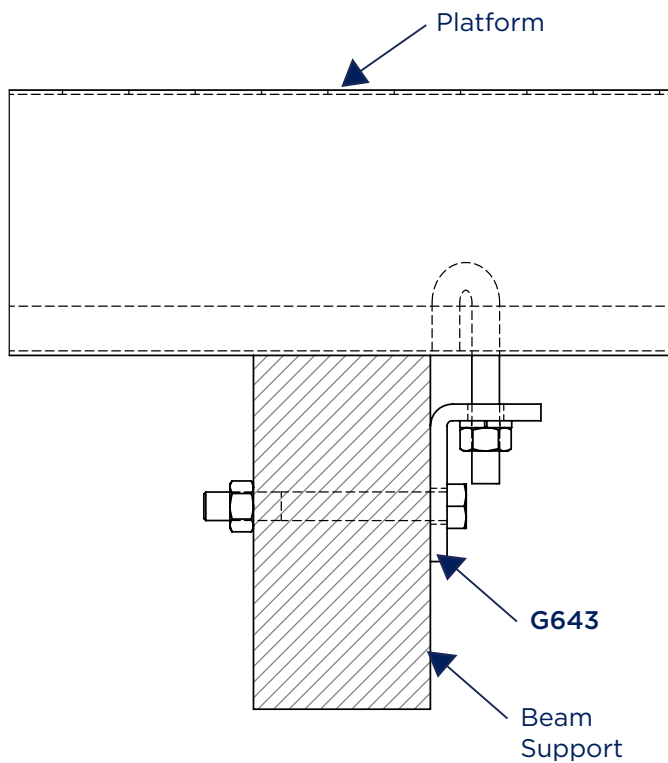
Attachment to C-Channel Supports



Attachment to 90° Supports



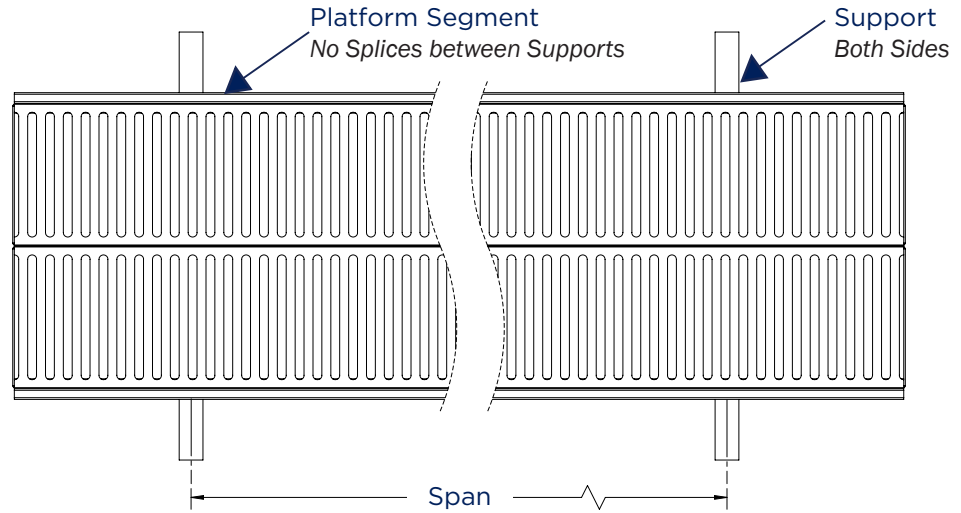
Attachment to Other Structures



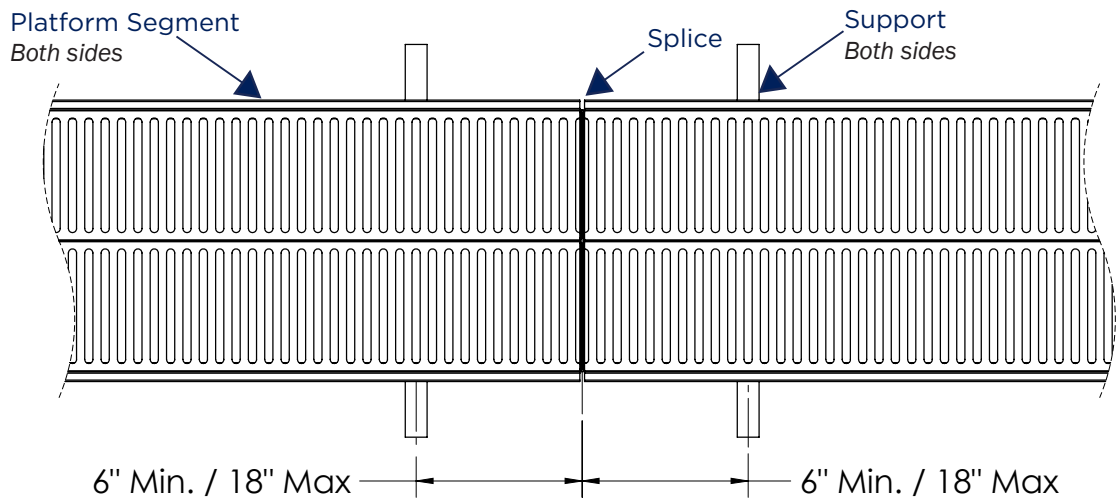
INSTALLATION REQUIREMENTS

Typical supports for a single platform

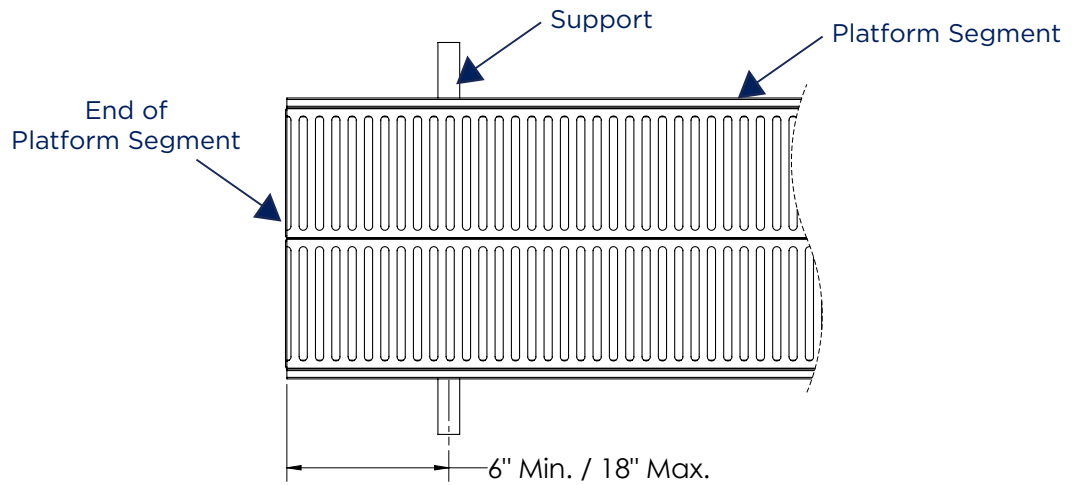
See page 4 for load capacities based on span

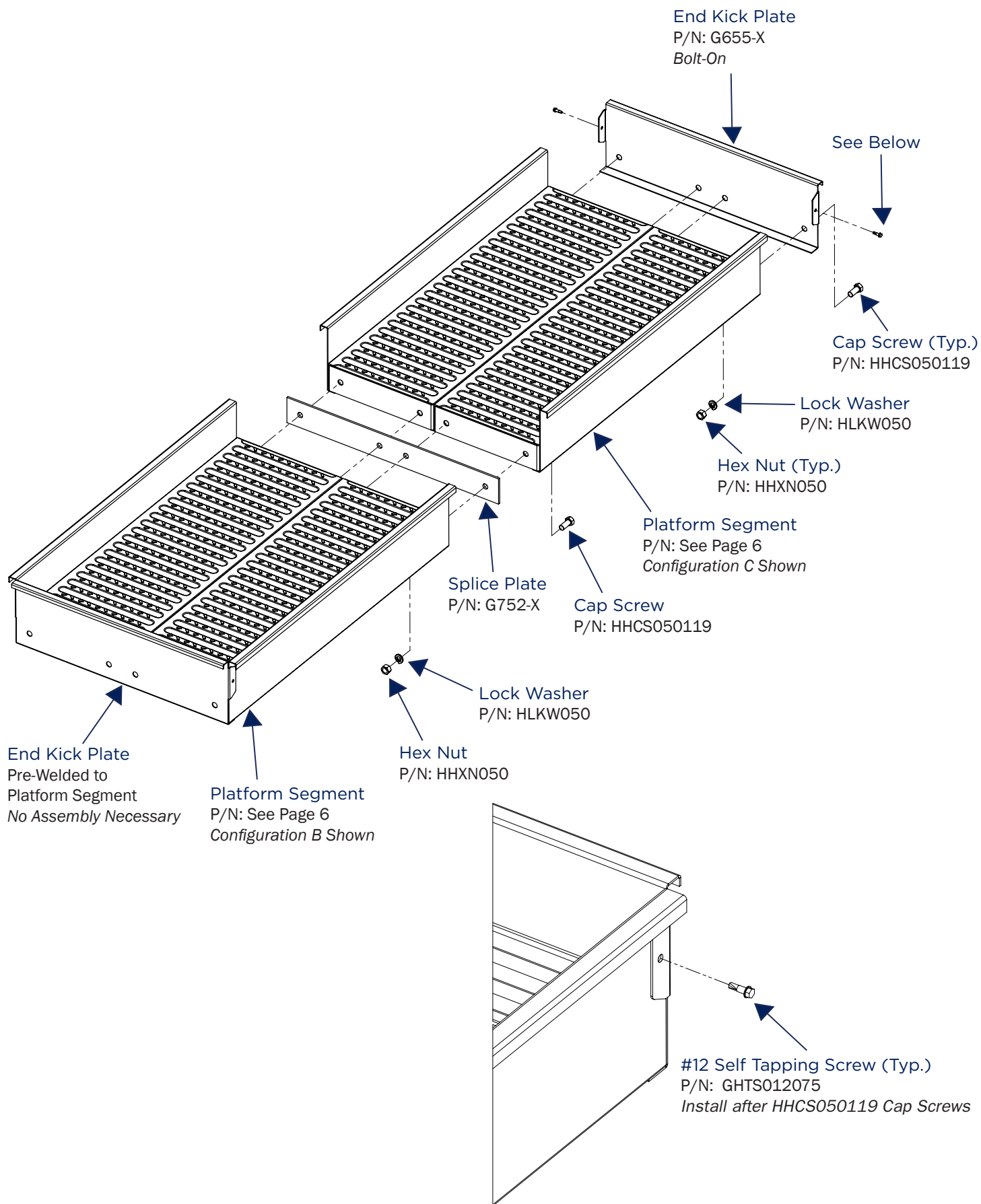


Splice Support Requirements

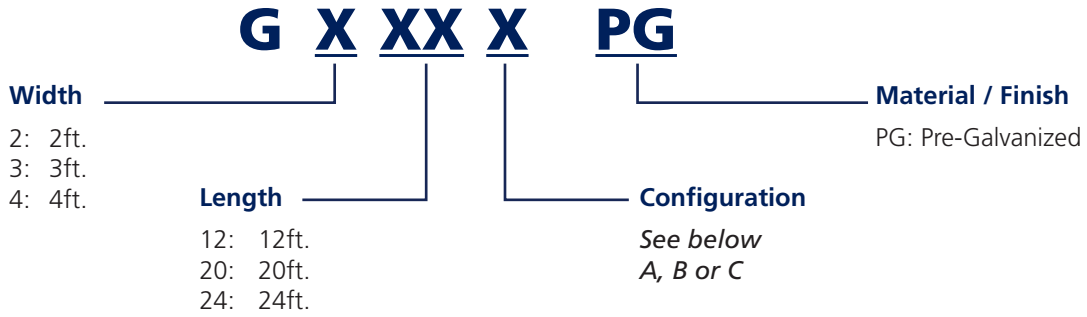


End Support Requirements



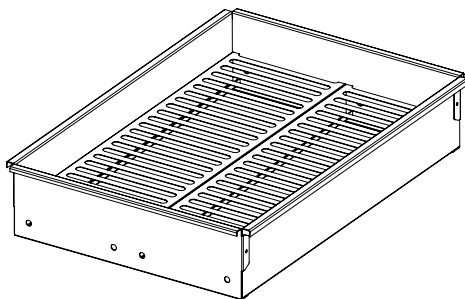
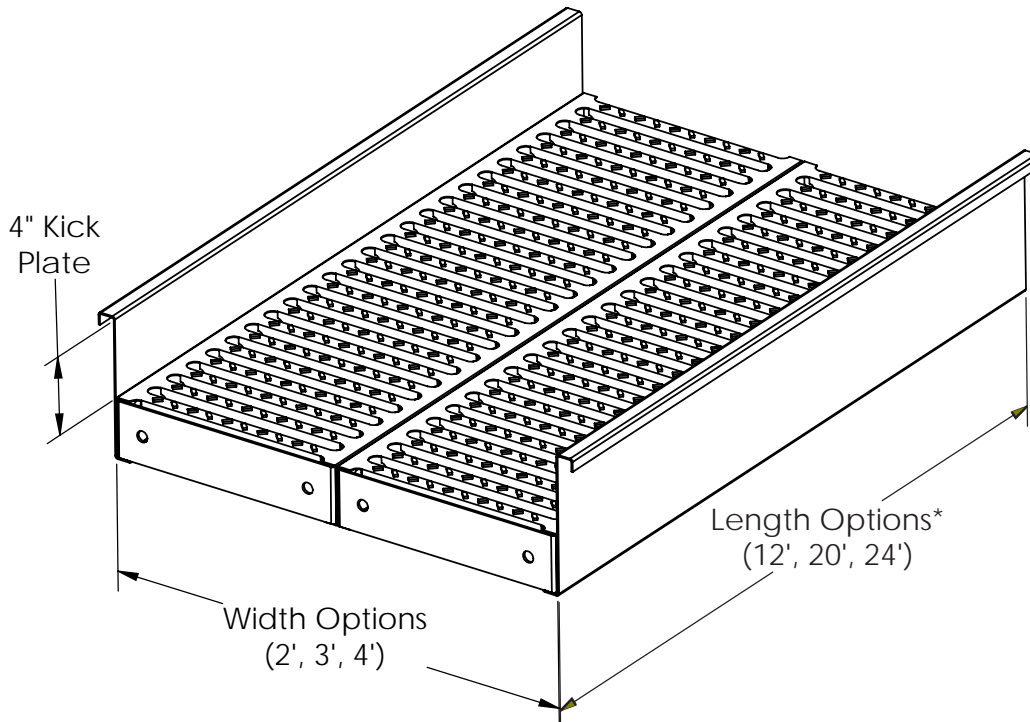


Platform Part Number

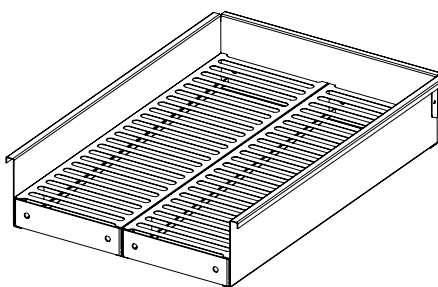


Example:

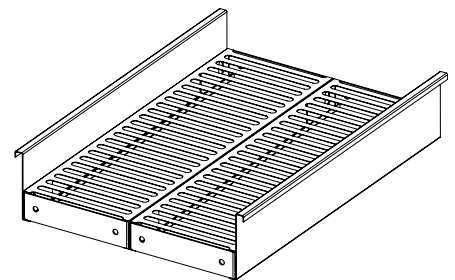
G224C PG for a 2' wide, 24' long platform with Splice Plates at both ends



Configuration A
 Kick Plates at both ends



Configuration B
 Kick Plate at one end
 Splice Plate at the other end

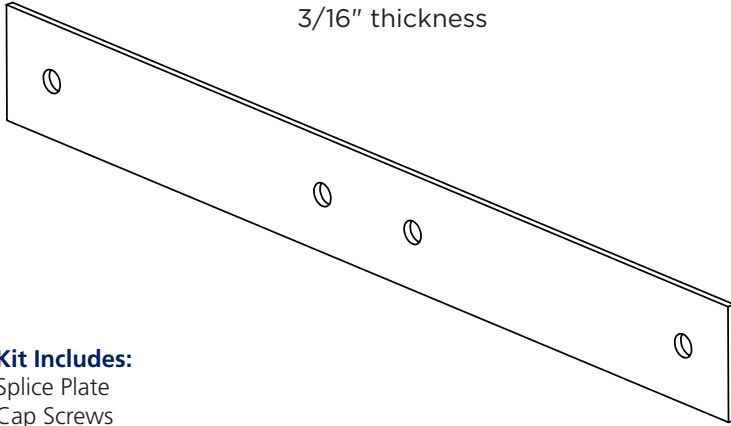


Configuration C
 Splice Plates at both ends

ACCESSORIES

G752-X Splice Plate Kit

3/16" thickness

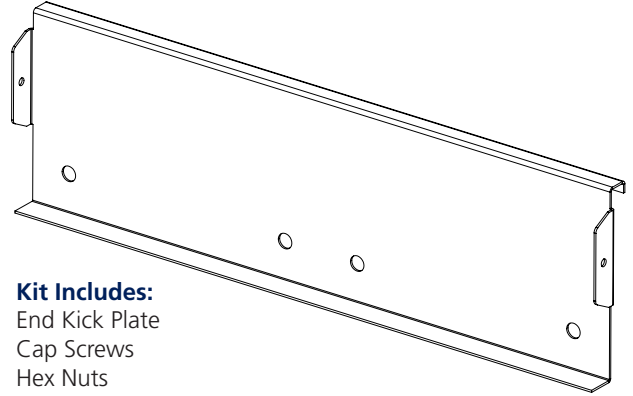


Kit Includes:
Splice Plate
Cap Screws
Hex Nuts
Lock Washers

X = Width of Platform in Feet (2', 3', or 4')

G655-X End Kick Plate Kit

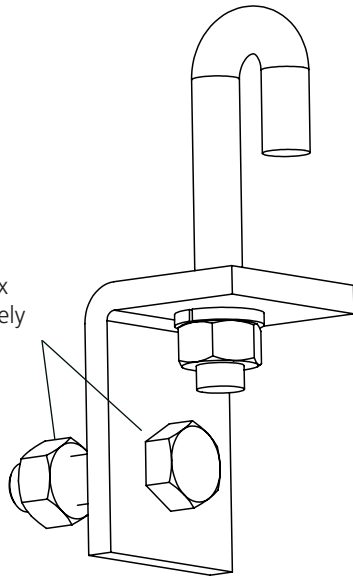
14 ga. thickness



Kit Includes:
End Kick Plate
Cap Screws
Hex Nuts
Lock Washers
Self-Tapping Screws

X = Width of Platform in Feet (2', 3', or 4')

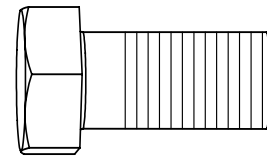
G643 Beam Attachment Kit



This Bolt and Hex Nut sold separately

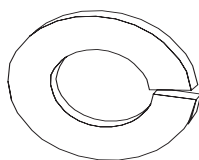
SPLICING HARDWARE

Cap Screw



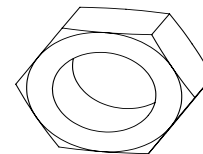
HHCS050119 EG (1/2" x 1-3/16")

Lock Washer



HLKW050 EG (1/2")

Hex Nut



HHXN050 EG (1/2")

SPLICING PARTS LIST

Splicing Longer Length Platforms

Option 1: Using Platform Segments with Pre-Welded End Kick Plates

Size Desired		Platform Segment		Splice Plate Kit	
Width	Length	P/N	Qty.	P/N	Qty.
X=2', 3' or 4'	36'	GX12B	1	G752-X	1
		GX24B	1		
	40'	GX20B	2	G752-X	1
	48'	GX24B	2	G752-X	1
	60'	GX20C	1	G752-X	2
		GX20B	2		
	64'	GX24C	1	G752-X	2
		GX20B	2		
	72'	GX24C	1	G752-X	2
		GX24B	2		
80'	GX20C	2	G752-X	3	
	GX20B	2			
96'	GX24C	2	G752-X	3	
	GX24B	2			
100'	GX20C	3	G752-X	4	
	GX20B	2			

Option 2: Using Platform Segments with Open Ends for Splicing

Size Desired		Platform Segment		Splice Plate Kit		End Plate Kit	
Width	Length	P/N	Qty.	P/N	Qty.	P/N	Qty.
X=2', 3' or 4'	36'	GX12C	1	G752-X	1	G655-X	2
		GX24C	1				
	40'	GX20C	2	G752-X	1	G655-X	2
	48'	GX24C	2	G752-X	1	G655-X	2
	60'	GX20C	3	G752-X	2	G655-X	2
	64'	GX24C	1	G752-X	2	G655-X	2
		GX20C	2				
	72'	GX24C	3	G752-X	2	G655-X	2
	80'	GX20C	4	G752-X	3	G655-X	2
	96'	GX24C	4	G752-X	3	G655-X	2
100'	GX20C	5	G752-X	4	G655-X	2	

Note:

There are many ways to splice together a longer length platform. The above two options represent the most common and economical.

LIMITED WARRANTY

Unistrut® warrants for a period of one year from the date of shipment or completion of installed work, as applicable, that the products or services will be free from defects in workmanship and materials at the time of delivery to the carrier. No warranty is given for products or components that have been (i) manufactured by companies other than Unistrut; (ii) subject to misuse, improper installation, corrosion, or negligence; (iii) disassembled, modified or repaired by unauthorized persons; (iv) used in any manner contrary to Unistrut's instructions or recommendations; or (v) subject to (1) corrosion beyond normal weathering; (2) corrosion caused by disruption of any product coating after production; (3) corrosion occurring at points in the product that have been drilled, cut or welded; or (4) corrosion occurring in unusual or highly corrosive soil, environmental or industrial conditions (in case of corrosion under this subsection (v)(4), Unistrut's limited obligation is to ensure that the product complies with its published specifications).

UNISTRUT DISCLAIMS ALL OTHER WARRANTIES, WHETHER EXPRESS OR IMPLIED, INCLUDING, WITHOUT LIMITATION, ANY WARRANTY OF MERCHANTABILITY OR FITNESS FOR A PARTICULAR PURPOSE, ANY WARRANTY THAT THE PRODUCTS WILL CONFORM TO ANY SAMPLES, ANY WARRANTY THAT THE PRODUCTS WILL NOT DISCOLOR OR THE TEXTURE OR FINISH WILL NOT CORRODE OR DETERIORATE, AND ANY WARRANTY REGARDING ANY ANCILLARY SERVICES RENDERED.

REMEDY AND LIMITATION OR LIABILITY

If the products do not comply with the warranties set forth in these Terms, Buyer must provide prompt written notice to Unistrut of the non-conformance in reasonably sufficient detail (and such other detail as Unistrut requests) and must comply with Unistrut's instructions and policies regarding the nonconforming product. Buyer must provide such notice within the warranty period. Unistrut's liability will terminate upon expiration of the warranty period. Unistrut's sole liability for non-conforming products will be to repair or replace the non-conforming product or return the purchase price paid therefore, at Unistrut's sole option. Buyer will bear all disassembly, shipment and reinstallation costs of repaired or replaced products. IN NO EVENT WILL UNISTRUT BE LIABLE IN CONTRACT, TORT, STRICT LIABILITY OR OTHERWISE FOR INCIDENTAL, INDIRECT, SPECIAL OR CONSEQUENTIAL DAMAGES, REGARDLESS OF WHETHER UNISTRUT WAS INFORMED OF THE POSSIBILITY OF SUCH DAMAGES, AND IN NO EVENT WILL UNISTRUT'S LIABILITY EXCEED AN AMOUNT EQUAL TO THE SALES PRICE OF THE PRODUCTS.

16100 South Lathrop Ave

Harvey, IL 60426

TOLL-FREE / 800-468-9510

FAX / 800-468-9510

www.unistrut.us



UNISTRUT

